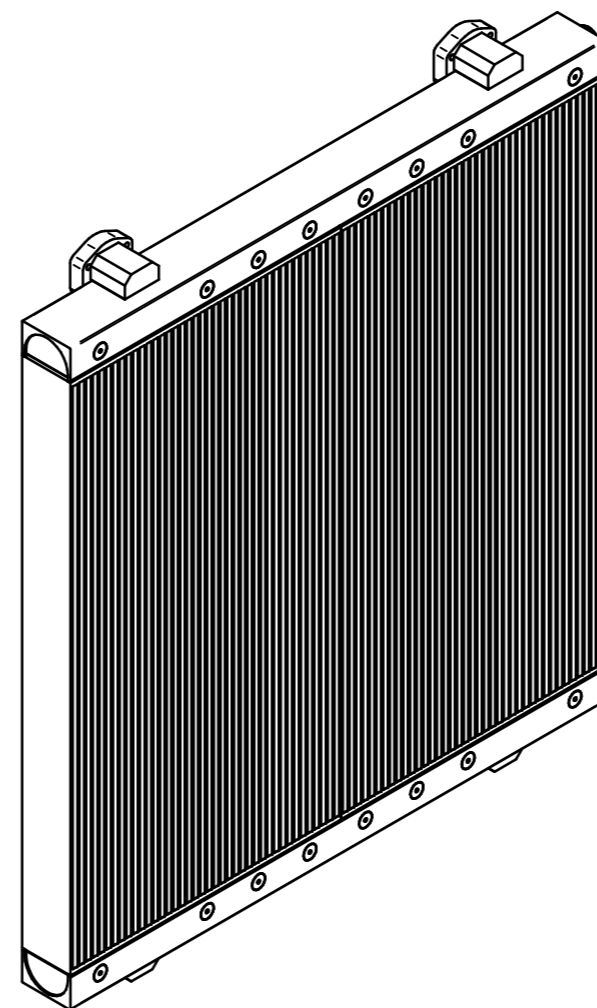
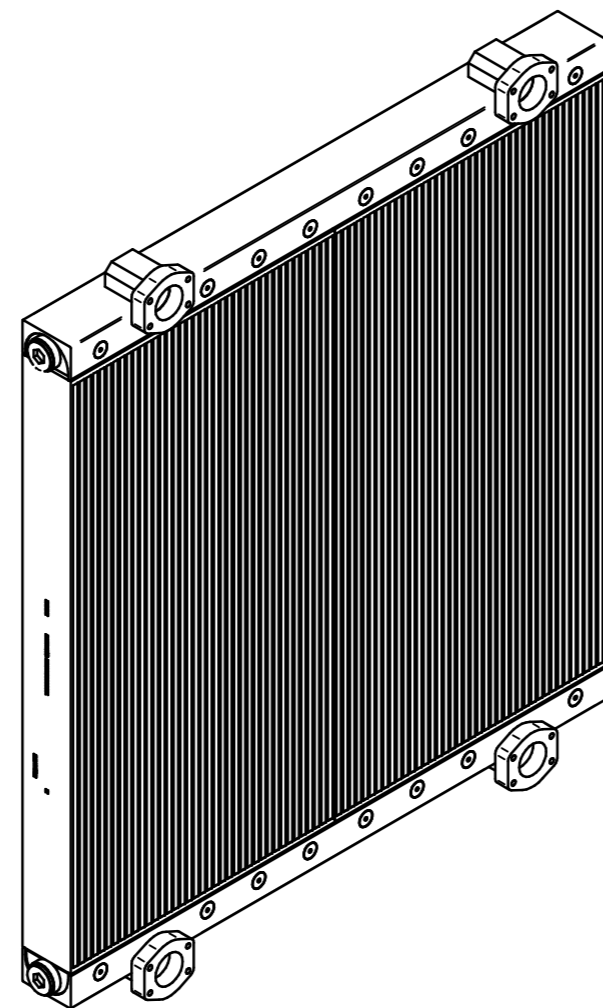
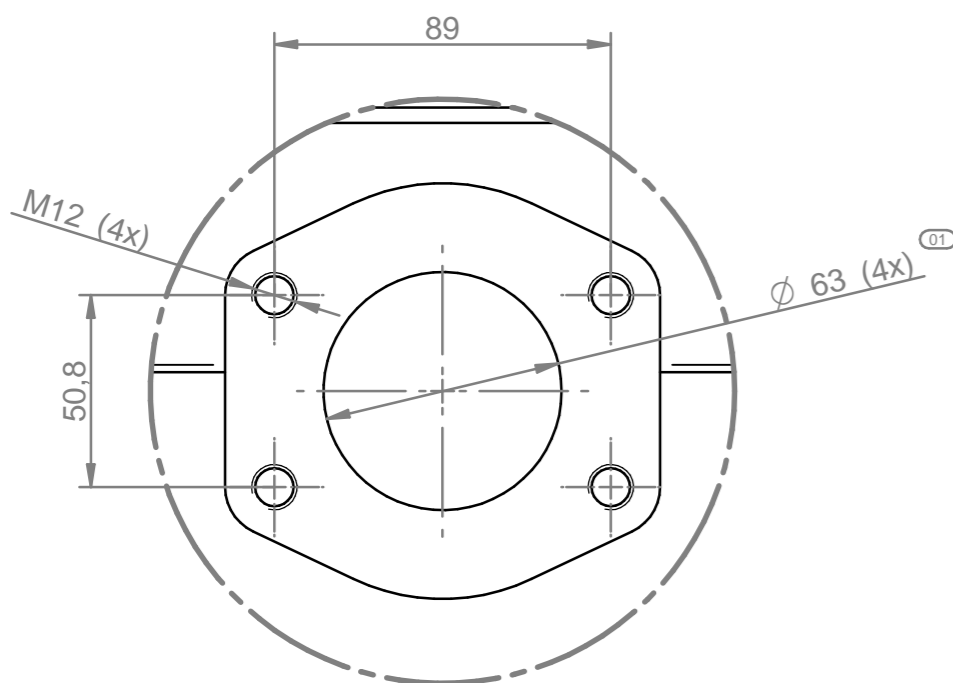


Detail A
(SAE 2 1/2", code 61)
1:2



Limit for imperfections in welding joints according to ISO 10042, quality level "D".
This is especially, but not exclusively, true for weld upsets (ref. No. 502 according to ISO 6520).

This drawing and attached written disclosure, if any, is our intellectual property and must not be used or disclosed to third parties without our explicit consent. All rights reserved. Diese Unterlage ist unser Eigentum und darf ohne unsere Zustimmung nicht verwendet oder an Dritte weitergegeben werden. Alle Rechte vorbehalten. asa technology Produktions- und Vertriebs GmbH A-1210 Wien		free size tolerance:	customer:	scale: 1:10 (1:2)	weight: 131 kg
		DIN ISO 2768-vL		item number(s): ILLEA1508K	
		date	name	description:	
		drawn 20.07.20	GG	Element ASA 1508 Kit	
		check sta. 21.07.20	ML		
		check QM 21.07.20	NM		
		review 21.07.20	MN		
		release 22.07.20	JF	documentary list: <input type="checkbox"/> yes <input type="checkbox"/> no <input type="checkbox"/>	
01		Kürzlelement getauscht, Abmessungen, Toleranzen, Layout aktualisieren.	20.07.20	GG	drawing number: A-04907-01
index	modification	date	name	asa	page 1 of 1 pgs.