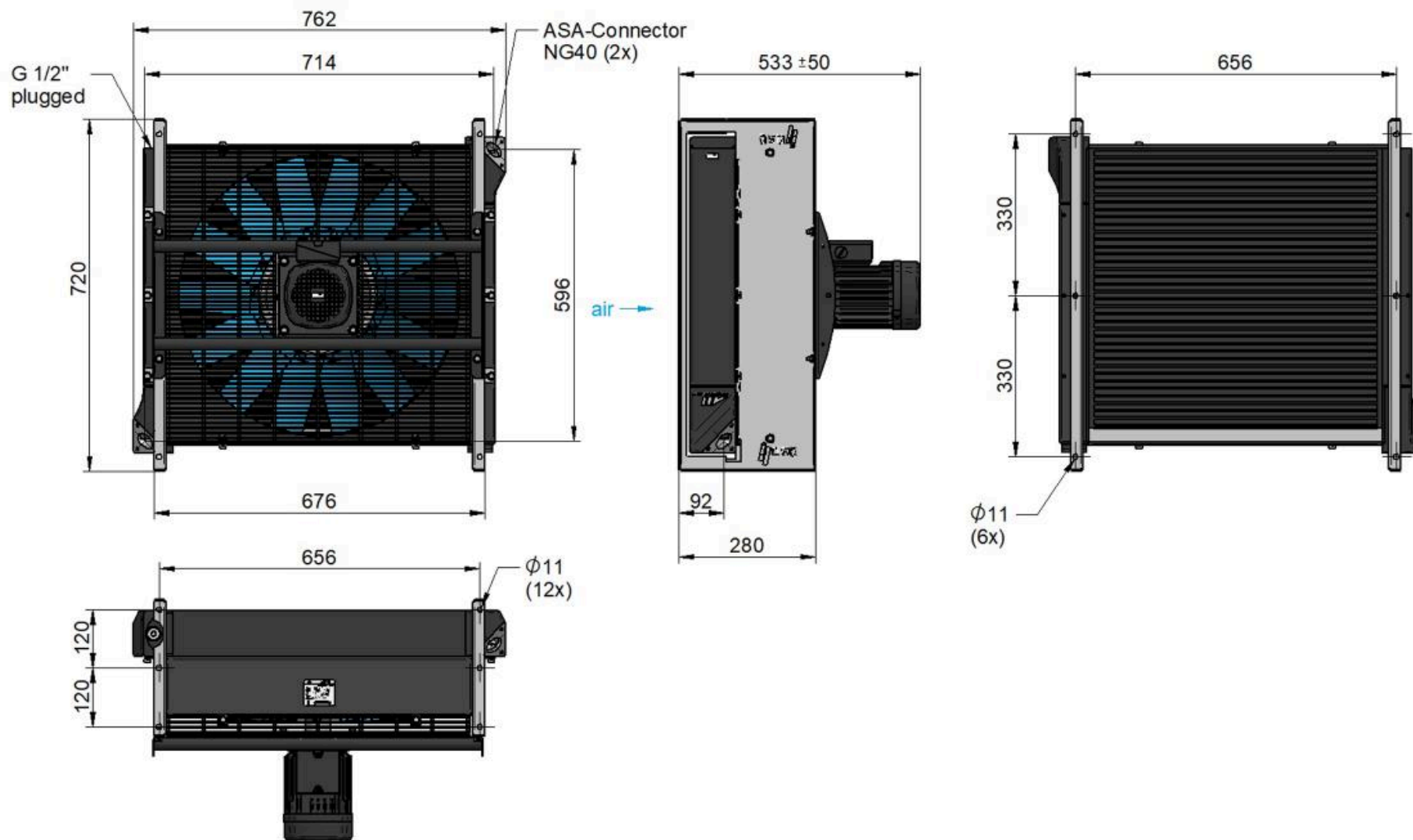


ASA 0367 230/400V 0,37 kW (50Hz)



Technical data

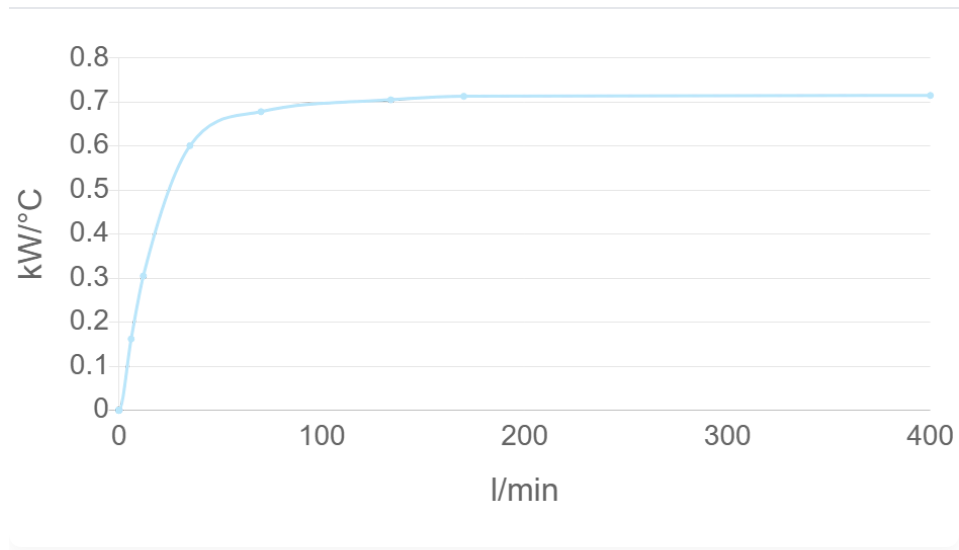
order number	ASA0367AA66
--------------	-------------

description	ASA 0367 230/400V 0,37 kW (50Hz)	
motor power	0.37	kW
motor size	80	
current	1.17	A
protection level	IP55	
air flow	0.94	kg/s
noise level	73	dB(A)
weight	63.2	kg

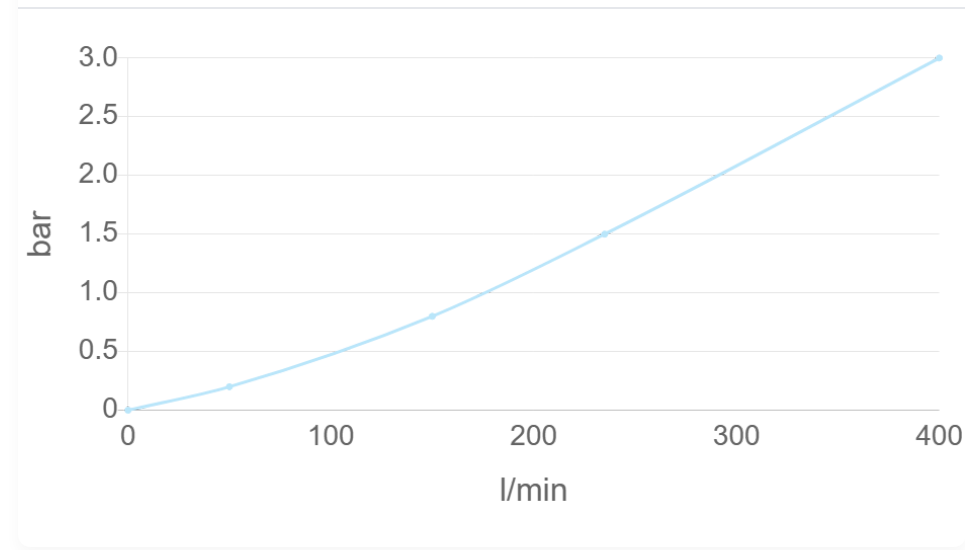
ASA 0367 230/400V 0,37 kW (50Hz)



specific cooling performance



pressure drop at 30°C



Radiator Style C

material	aluminium
working temperature range	-20°C to +80°C (oil temperature)
air fin shape	wavy
working pressure	26 bar (static)



This data sheet and the corresponding technical drawings serve solely as a general guideline and a technical overview of our products. Please contact us for additional information. We always try to keep the technical data up to date. However, due to constant development, no guarantee can be given for the correctness of the information (or printing errors). This applies to general properties such as dimensions, colors and weight. Any cooling performances and general technical values indicated in this catalogue are measured at a test benches according to asa testing procedures or calculated based on such tests and may therefore deviate from values obtained by test procedures from other manufacturers. The performance can vary by around +/- 15%. All information and calculation values are provided to the best of our knowledge, they do not represent intrinsic product properties and it is strongly recommended that the product is tested under the actual operating conditions. All drawings shown here are to be understood as schematic representations. For exact dimensions and the applicable tolerances, please ask for the corresponding scale drawings. Any form of liability is excluded for the information included in this datasheet. asa technology Produktions- und Vertriebs GmbH reserves the right to modify the product without any separate notification. This refers to both technical data and the product itself. Furthermore, it is herewith specified that the datasheet and the corresponding scale drawings are not a substitute for the assembly, installation and operating instructions.

asa technology Produktions- und
Vertriebs GmbH
Prager Strasse 280
A-1210 Wien, Austria, Europa
Tel.: +43/1/292 40 20
support@asahydraulik.com
www.asahydraulik.com

